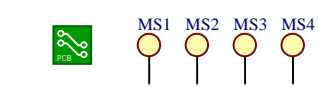
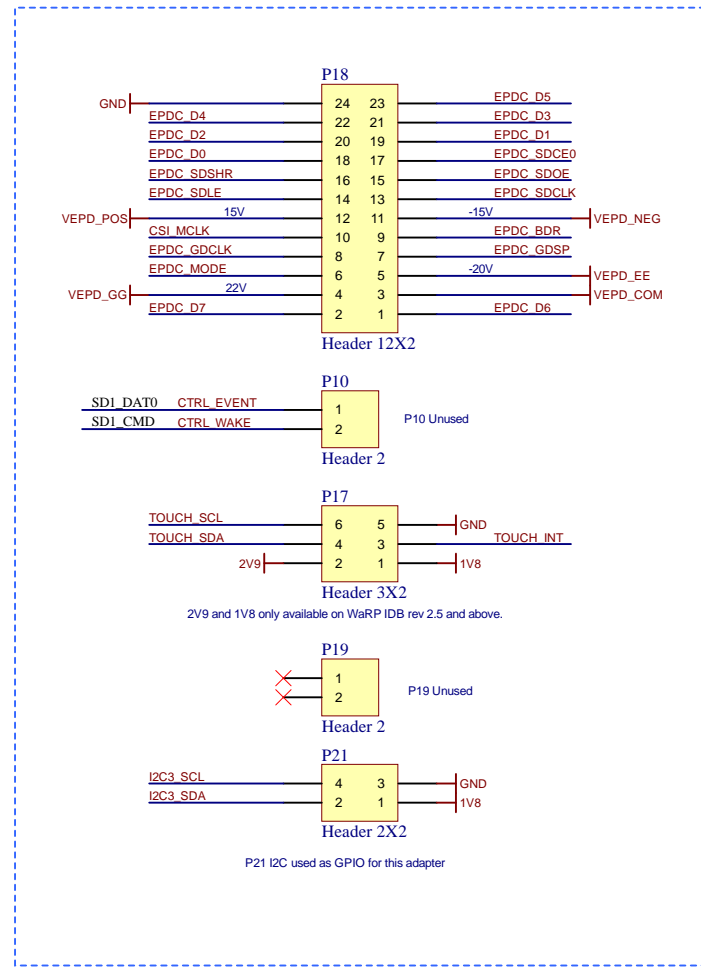
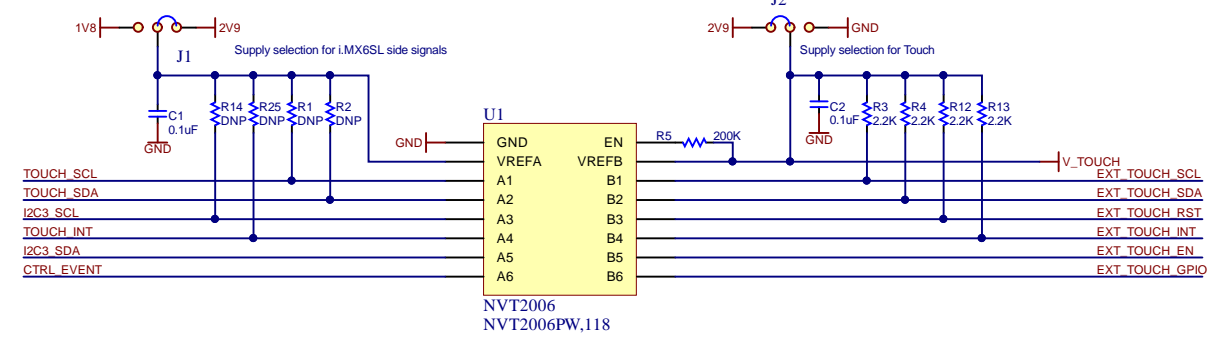


# WaRP Interposer Eink Adapter

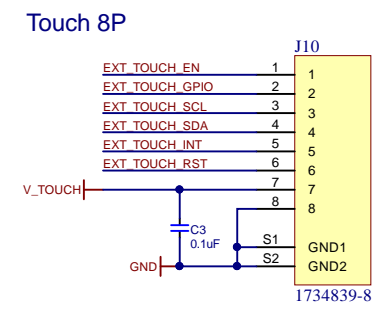
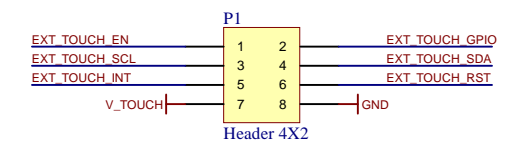
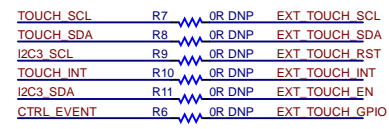
## Connection to WaRP Interposer Development Board



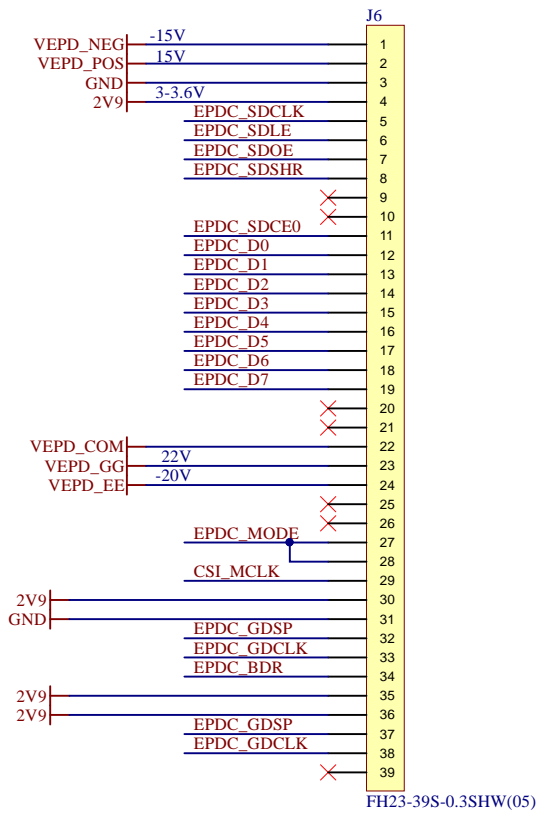
Level shifter required if touch uses external supply.  
If 2V9 is used only on Touch side, use 1V8 and level shifter for connection to i.MX6SL.  
If 2V9 is used for both sides, depop and bypass connections using resistors below.



Optional level shift bypass for touch signals



## Eink FPC Connector



## E-Ink 34P 0.4mm Pitch B2B Connector ED060SCM

